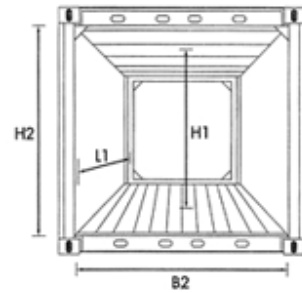


General Purpose Container 20'x8'x8'6

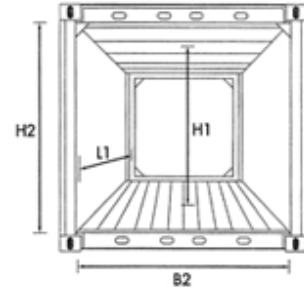
		Millimetres	Feet
Internal Dimensions	Length L1	5,898	19' 4.2"
	Width B1	2,352	7' 8.6"
	Height H1	2,391	7' 10"
Door Opening	Width B2	2,340	7' 8"
	Height H2	2,280	7' 5.8"
Weight	Max Gross	24,000	52,910
	Tare	2,289	5,090
	Max Payload	21,720	47,885
		Cube Metres	Cube Feet

General Purpose Container 40'x8'x8'6



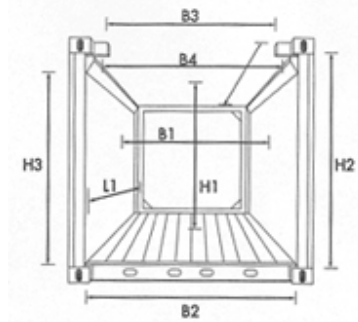
		Millimetres	Feet	Millimetres	Feet
Internal Dimensions	Length L1	12,040	39'5.3"	12,021	39'5.3"
	Width B1	2,353	7'8.5"	2,335	7'7.9"
	Height H1	2,383	7'9.7"	2,360	7'8.9"
Door Opening	Width B2	2,340	7'8"	2,337	7'7.9"
	Height H2	2,280	7'5.8"	2,271	7'5.4"
Weight	Max Gross	30,480	67,200	32,000	70,400
	Tare	3,830	8,450	3,170	6,990
	Max Payload	26,650	58,630	28,830	63,550
		Cube Metres	Cube Feet	Cube Metres	Cube Feet
Internal Capacity		67.7	2,390	67.7	2,390

High Cube General Purpose Container
40'x8'x9'6



		Millimetres	Feet	Millimetres	Feet
Internal Dimensions	Length L1	12,040	39'5.3"	12,021	39'5.3"
	Width B1	2,353	7'8.5"	2,335	7'7.9"
	Height H1	2,697	8'10.1"	2,697	8'10.1"
Door Opening	Width B2	2,340	7'8"	2,337	7'7.9"
	Height H2	2,597	8'6.2"	2,597	8'6.2"
		Kilograms	Pounds	Kilograms	Pounds
Weight	Max Gross	30,480	67,200	32,000	70,400
	Tare	3,830	8,450	3,170	6,990
	Max Payload	26,650	58,630	28,830	63,550
		Cube Metres	Cube Feet	Cube Metres	Cube Feet
Internal Capacity		76.3	2,694	76.3	2,694

Open Top Container 20'x8'x8'6"

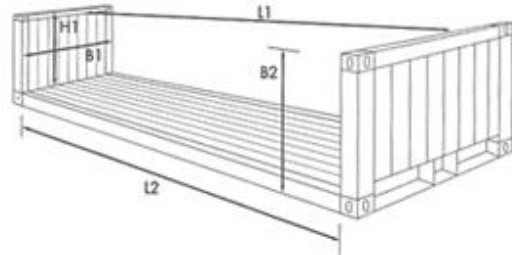


		Millimetres	Feet	Millimetres	Feet
Internal Dimensions	Length	5,902	19' 4.3"	5,887	19' 3.7"
	Width	2,240	7' 4.1"	2,350	7' 8.4"
	Height	2,352	7' 8.5"	2,330	7' 7.7"
Door Opening	Width	2,335	7' 7.9"	2,338	7' 8"
	Height	2,240	7' 4.1"	2,223	7' 3.5"
		Kilograms	Pounds	Kilograms	Pounds
Weight	Max Gross	24,000	52,910	24,000	52,910
	Tare	2,440	5,380	2,500	5,640
	Max Payload	21,560	47,520	21,440	47,270
		Cube Metres	Cube Feet	Cube Metres	Cube Feet

Open Top Container 40'x8'x8'6"

		Millimetres	Feet
Internal Dimensions	Length	12,021	39' 5.2"
	Width	2,350	7' 8.4"
	Height	2,330	7' 7.7"
Door Opening	Width	2,338	7' 8"
	Height	2,234	7' 3.8"
		Kilograms	Pounds
Weight	Max Gross	36,000	79,370
	Tare	4,430	9,760
	Max Payload	31,570	69,600
		Cube Metres	Cube Feet
Internal Capacity		66.7	2,355

Flatrack Container
40'x8'x8'6

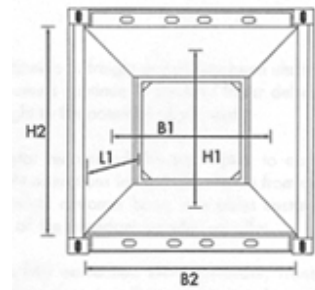


		Millimetres	Feet
Internal	Length	12,032	7' 6.2"
	Width	2,240	7' 4.1"
	Height - Unfolded - Folded	2,034 570	6' 8.1" 1' 10.4"
<hr/>			
		Kilograms	Pounds
Weight	Max Gross	45,000	88,180
	Tare	5,530	12,190
	Max Payload	39,470	87,020
<hr/>			
		Cube Metres	Cube Feet

Flatrack Container 20'x8'x8'6

		Millimetres	Feet
Internal	Length	5,727	18' 9.4"
	Width	2,240	7' 4.1"
	Height - Unfolded - Folded	2,170 420	7' 1.3" 1' 4.6"
<hr/>			
		Kilograms	Pounds
Weight	Max Gross	30,480	66,140
	Tare	2,950	6,500
	Max Payload	27,530	60,690
<hr/>			
		Cube Metres	Cube Feet

Refrigerated Container
20'x8'x8'6



		Millimetres	Feet
Internal Dimensions	Length	5,455	17' 11"
	Width	2,294	7' 6.2"
	Height - Nominal - Useable	2,288 2,188	7' 6" 7' 2"
Door Opening	Width	2,268	7' 5.3"
	Height	2,215	7' 3.1"
		Kilograms	Pounds
Weight	Max Gross	24,000	52,800
	Tare	2,950	6,503
	Max Payload	21,050	46,407
		Cube Metres	Cube Feet

Refrigerated Container 40'x8'x8'6

		Millimetres	Feet
Internal Dimensions	Length	11,587	38' 0.1"
	Width	2,259	7' 4.9"
	Height - Nominal - Useable	2,219 2,119	7' 3.4" 6' 11.4"
Door Opening	Width	2,283	7' 5.9"
	Height	2,117	7' 1.7"
		Kilograms	Pounds
Weight	Max Gross	32,000	70,550
	Tare	4,350	9,590
	Max Payload	27,650	60,960
		Cube Metres	Cube Feet
Internal Capacity	Nominal	58.1	2,051
	Useable	55.5	1,959

Refrigerated Container 40'x8'x9'6"

		Millimetres	Feet
Internal Dimensions	Length	11,569	37' 11.4"
	Width	2,294	7' 6.2"
	Height - Nominal - Useable	2,540 2,440	8' 4.7" 8'
Door Opening			
Door Opening	Width	2,294	7' 6.2"
	Height	2,558	8' 4.7"
Weight			
Weight		Kilograms	Pounds
	Max Gross	30,480	67,200
	Tare	4,420	9,750
	Max Payload	26,060	57,450
Volume			
		Cube Metres	Cube Feet